

BACKHOES



• DOUBLE CYLINDER FOR 180° ROTATION COMPLETE WITH END OF STROKE BRAKE INSIDE



• HARDENED AND RECTIFIED PIN/BUSHINGS



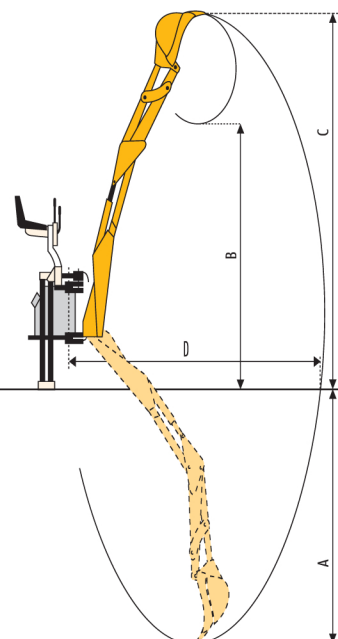
• HYDRAULIC DISTRIBUTOR WITH VALVES, GEARSHIFT LEVER CONTROLS AND SAFETY LOCK

• INDEPENDENT STABILIZERS •

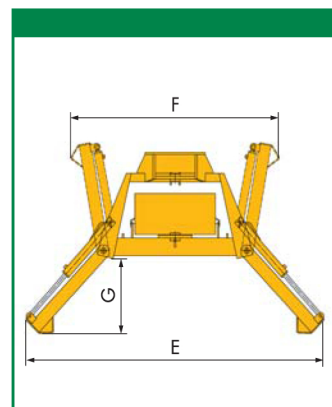
serie "BA"

• FIXED FRAME •

TECHNICAL DATA	BA 19	BA 22	BA 55	BA 65	BA 75	BA 85
A	6' 2" (mm.) 1900	7' 5" (mm.) 2300	7' 2" (mm.) 2200	8' 5" (mm.) 2600	9' 8" (mm.) 2800	10' 2" (mm.) 3100
B	5' 9" (mm.) 1800	7' 2" (mm.) 2200	6' 2" (mm.) 1900	7' 5" (mm.) 2300	8' 2" (mm.) 2500	8' 9" (mm.) 2700
C	8' 5" (mm.) 2600	9' 5" (mm.) 2900	9' 2" (mm.) 2800	10' 5" (mm.) 3200	11' 5" (mm.) 3500	12' 1" (mm.) 3700
D Working radius	9' 0" (mm.) 2750	10' 0" (mm.) 3050	9' 7" (mm.) 2950	10' 9" (mm.) 3320	11' 6" (mm.) 3550	12' 6" (mm.) 3850
E	7' 1" (mm.) 2160	7' 1" (mm.) 2160	7' 3" (mm.) 2220	7' 3" (mm.) 2220	8' 5" (mm.) 2600	8' 5" (mm.) 2600
F	4' 8" (mm.) 1460	4' 8" (mm.) 1460	5' 0" (mm.) 1520	5' 0" (mm.) 1520	5' 2" (mm.) 1600	5' 2" (mm.) 1600
G	1' 8" (mm.) 550	1' 8" (mm.) 550	1' 8" (mm.) 550	1' 8" (mm.) 550	1' 8" (mm.) 550	1' 8" (mm.) 550
Ripping force at the tooth	4400 (kg) 2000	4850 (kg) 2200	5060 (kg) 2300	5720 (kg) 2600	6160 (kg) 2800	6380 (kg) 2900
Rotation angle	180°	180°	180°	180°	180°	180°
Pump max capacity	4,0 (l/min) 15	5,30 (l/min) 20	5,55 (l/min) 21	6,30 (l/min) 24	7,90 (l/min) 30	10,0 (l/min) 38
Working pressure	2600 (Bar) 180	2600 (Bar) 180	2600 (Bar) 180	2600 (Bar) 180	2600 (Bar) 180	2600 (Bar) 180
Tank capacity	6,60 (l) 25	6,60 (l) 25	9,25 (l) 35	9,25 (l) 35	13,20 (l) 50	13,20 (l) 50
Digging Bucket	8" - 1' 3" (mm.) 250 - 400	8" - 1' 3" (mm.) 250 - 400	8" - 2' 0" (mm.) 250 - 600	8" - 2' 0" (mm.) 250 - 600	8" - 2' 0" (mm.) 250 - 600	8" - 2' 0" (mm.) 250 - 600
Weight with bucket	770 (kg) 350	810 (kg) 380	1080 (kg) 490	1190 (kg) 540	1520 (kg) 690	1610 (kg) 730
Tractor min. weight	2200 (kg) 1000	2420 (kg) 1100	3740 (kg) 1700	4180 (kg) 1900	5280 (kg) 2400	5500 (kg) 2500
Tractor min. power	18	20	30	35	60	70



"BA"



tifermec®

oleodinamica

Green Line



BACKHOES